



## LabelNest LN21™

LabelNest LN21™, is a 2.1-inch electronic display device that can be placed on the shelf and replaced the traditional paper price label. The E-paper display technology boasts a high contrast ratio, makes superior viewing angle at nearly 180°. Each device is connected to the FootfallCam 3D Max™ base station through wireless network. The changes or configuration of the price on the product can be adjusted via LabelNest Analytic Manager software and transmitted to the base station and to the label. The latest content can then be updated on the screen in real time basis with a more efficient way.

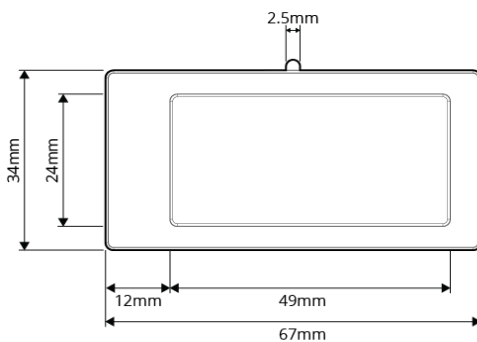
### Key Features

- Advanced battery saving chipset only available in Texas Instrument; Low power consumption
- Fully graphic and available in up to three colours
- Wireless 2-way communication between your system and the labels
- Multi-language enabled, able to show complex information
- Customizable layout and content
- LED Flashing for Geolocation
- Supported by multiple fitting options – Table top with adapter, Rails, Rail Remover Kit.
- Easy to install, integrate and maintain

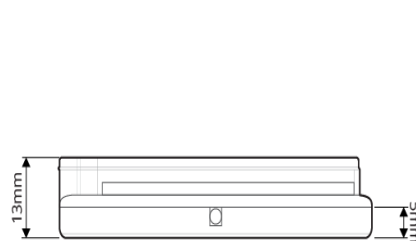
General Specification	
Model	ESL LN21
Screen Size	2.1 inch (diagonal)
Weight	30g (Approx.)
Appearance	White casing (By default)
Chipset	Texas Instrument CC1310
Material	ABS (Acrylonitrile butadiene styrene)
Total dimensions (mm)	67 x 34 x 13
Operational	
Operating Temperature	0-50°C
Battery Life Time	3- 5 years (Subjective to usage)
Battery	2 x CR2450 (Replaceable batteries)
Power	7W
Display	
Display area (mm)	49 x 24
Display colour	Black & white, Red & white, Yellow & white
Display mode	Dot Matrix Display
Resolution (Pixel)	212 (H) x 104 (W)
Pixel Pitch (mm)	0.229 x 104
Reflect Contrast	7:1
Whiteness Reflect	33%
Viewing angle	175°
Time of refresh (s)	16
Power Consumption of refresh (mA)	8
Language	Multi-Language available
Bar code/ QR code on screen	Yes



Front View



Top View



Side View

